

PLEASE CHECK WWW.MOLEX.COM FOR LATEST PART INFORMATION

Part Number: [0394210002](#)
Status: **Active**
Description: 12.00mm (.472") Pitch Beau™ EuroMax™ Horizontal Plug, 2 Circuits

Documents:

[Drawing \(PDF\)](#) [RoHS Certificate of Compliance \(PDF\)](#)

General

Product Family	Terminal Blocks
Series	39421
Application	Wire-to-Board
Component Type	Plug
Product Name	EuroMax™ Pluggable
Type	Euro Block

Physical

Circuits (Loaded)	2
Color - Resin	Black
Entry Angle	180° Angle
Lock to Mating Part	Yes
Material - Metal	Brass
Material - Plating Mating	Tin
Material - Plating Termination	Tin
Material - Resin	Polyester
Number of Rows	1
Orientation	Horizontal
PCB Retention	N/A
Panel Mount	No
Pitch - Mating Interface (in)	0.472 In
Pitch - Mating Interface (mm)	12.00 mm
Plating min: Mating (µin)	150
Plating min: Mating (µm)	3.75
Plating min: Termination (µin)	150
Plating min: Termination (µm)	3.75
Polarized to Mating Part	Yes
Stackable	No
Temperature Range - Operating	130°C
Wire Size AWG	10, 12, 14, 3, 4, 6, 8

Electrical

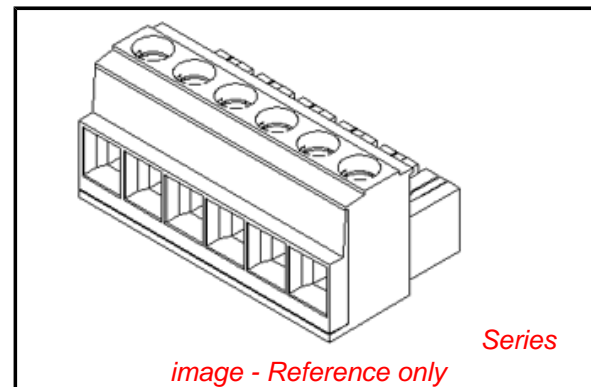
Current - Maximum per Contact	85A
Voltage - Maximum	600V

Material Info

Old Part Number	420502
-----------------	--------

Reference - Drawing Numbers

Sales Drawing	SD-39421-001
---------------	--------------



EU RoHS

RoHS Compliant by Exemption
REACH SVHC
 Not Reviewed
Halogen-Free
Status
Not Reviewed

China RoHS



Need more information on product environmental compliance?

Email productcompliance@molex.com
 For a multiple part number RoHS Certificate of Compliance, [click here](#)

Please visit the [Contact Us](#) section for any non-product compliance questions.

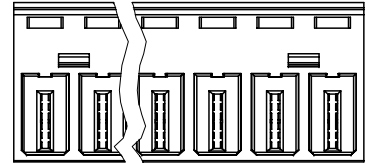
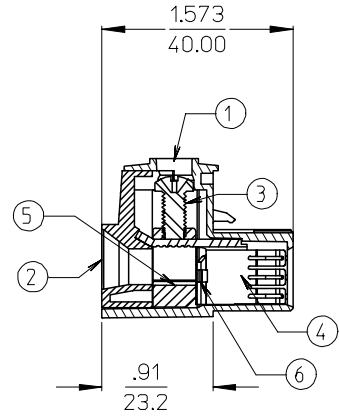
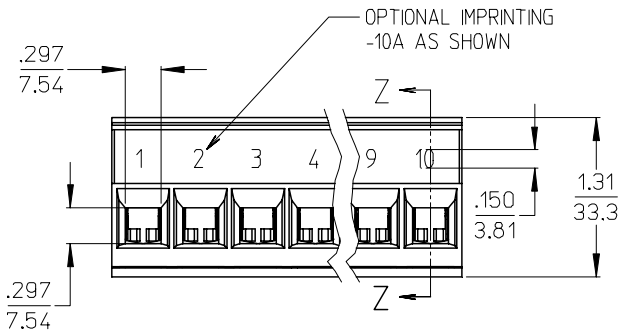
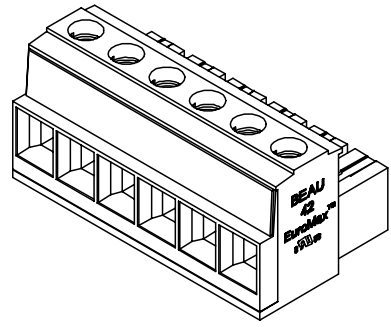
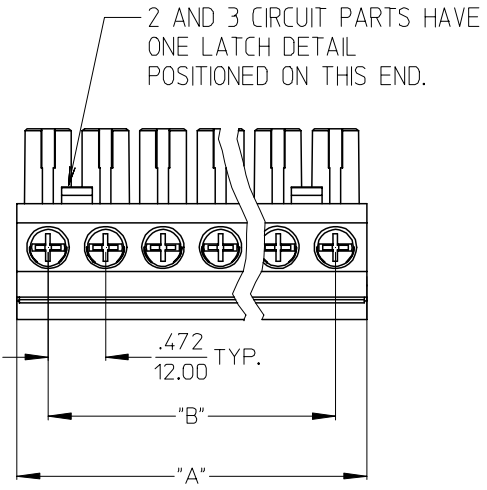
Search Parts in this Series

[39421Series](#)

Mates With

[39425-0002](#) Horizontal PCB Header

LENGTH TABLE				
NO. CIRCUITS	"B"	"A"	MATERIAL NO. (STANDARD)	MATERIAL NO. (-10A OPT.)
02	.472/12.00	.98/25.0	39421-0002	39421-1002
03	.945/24.00	1.46/37.0	39421-0003	39421-1003
04	1.417/36.00	1.93/49.0	39421-0004	39421-1004
05	1.890/48.00	2.40/61.0	39421-0005	39421-1005
06	2.362/60.00	2.87/73.0	39421-0006	39421-1006
07	2.835/72.00	3.35/85.0	39421-0007	39421-1007
08	3.307/84.00	3.82/97.0	39421-0008	39421-1008
09	3.780/96.00	4.29/109.0	39421-0009	39421-1009
10	4.252/108.00	4.76/121.0	39421-0010	39421-1010



- NOTES:
1. MATERIAL: SEE TABLE
 2. FINISHES: SEE TABLE
 3. PRODUCT SPECIFICATION: SEE PPS.42.002.DOC
 4. PACKAGING: NOT REQUIRED
 5. MATES WITH: 3942500XX HEADER
 6. XX EQUALS NUMBER OF CIRCUITS

6	XX	BACK PLATE	PHOS. BRONZE	TIN
5	XX	PRESSURE CLAMP	BRASS	NICKEL
4	XX	TERMINAL	COPPER ALLOY	TIN
3	XX	SCREW, M5 PAN HEAD, POZI-SLOT	S.S.	TIN
2	1	MOLDING, COVER	PBT	BLACK
1	1	MOLDING, BODY	PBT	BLACK
ITEM	QTY.	DESCRIPTION	MATERIAL	FINISH

CHNG	SCREW TYPE	DESCRIPTION
J		

QUALITY SYMBOLS	GENERAL TOLERANCES (UNLESS SPECIFIED)
▽=0	
▽=0	

DIMENSION STYLE		SCALE		DESIGN UNITS		THIRD ANGLE PROJECTION	
IN/MM		4:1		INCH		THIRD ANGLE PROJECTION	
DRAWN BY	DATE	TITLE				DRAWN BY	
RKEMP	03/07/21	PLUG, 12MM, 85A, 600V #10-#3 AWG				RKEMP	
CHECKED BY	DATE	APPROVED BY				DATE	
PWALTZ	03/08/05	G. ROBERTSON				03/08/05	
MATERIAL NO.		DOCUMENT NO.		SHEET NO.			
SEE CHART		SD-39421-001		1 OF 1			

GENERAL TOLERANCES (UNLESS SPECIFIED)		DIMENSION STYLE		SCALE		DESIGN UNITS		THIRD ANGLE PROJECTION			
4 PLACES	± ---	±.0015	IN/MM		4:1		INCH		THIRD ANGLE PROJECTION		
3 PLACES	±0.038	±.005	DRAWN BY		DATE		TITLE				
2 PLACES	±0.13	±.01	RKEMP		03/07/21		PLUG, 12MM, 85A, 600V #10-#3 AWG				
1 PLACE	±0.3	±.1	CHECKED BY		DATE		APPROVED BY				
ANGULAR ±1/2°		PWALTZ		03/08/05		G. ROBERTSON		03/08/05		DATE	
DRAFT WHERE APPLICABLE MUST REMAIN WITHIN DIMENSIONS		MATERIAL NO.		DOCUMENT NO.		SHEET NO.					
		SEE CHART		SD-39421-001		1 OF 1					
		SIZE B		THIS DRAWING CONTAINS INFORMATION THAT IS PROPRIETARY TO MOLEX INCORPORATED AND SHOULD NOT BE USED WITHOUT WRITTEN PERMISSION							